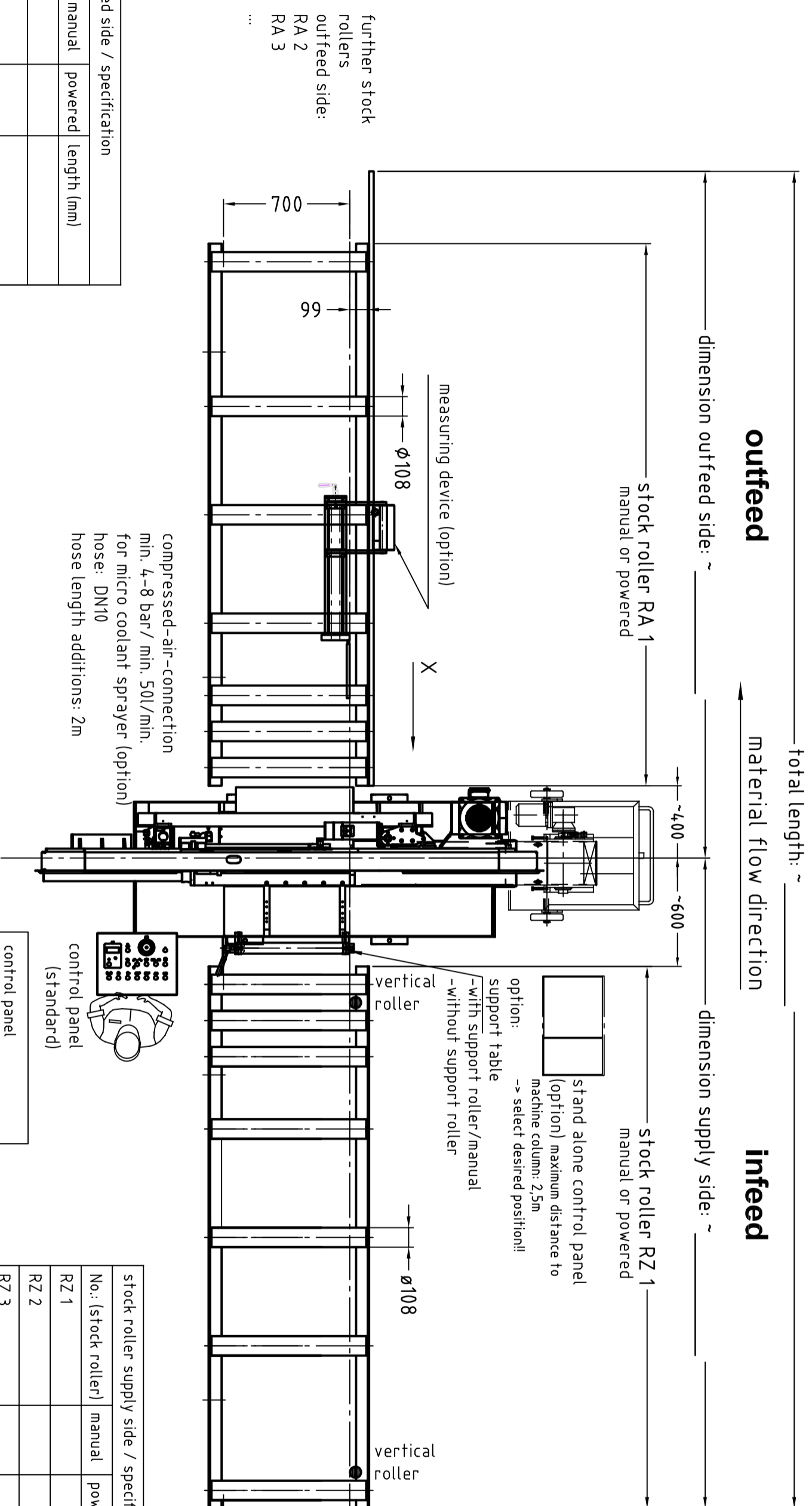


# MEBAECO 410

total length: ~  
material flow direction



stock roller outfeed side / specification	
No.: (stock roller)	manual / powered / length (mm)
RA 1	
RA 2	
RA 3	
RA 4	
RA 5	
RA 6	

stock roller supply side / specification	
No.: (stock roller)	manual / powered / length (mm)
RZ 1	
RZ 2	
RZ 3	
RZ 4	
RZ 5	
RZ 6	

measuring device / optional			
measuring device type	length (mm)	lengthening piece (AV)	metering range (mm) without AV / with AV
M0 manual			
MLD manual			
MLDV manual			
MLA automatic			
MLAV automatic			

Restrictions on the clamping range 410 with the option removable bundle clamping and cutting control			
miter	max. diameter	min. width	max. width
90°	ø 410 mm	5 mm	700 mm

Restrictions on the clamping range 410 with the option cutting control WITHOUT bundle clamping			
miter	max. diameter	max. width	max. height
90°	ø 410 mm	700 mm	410 mm

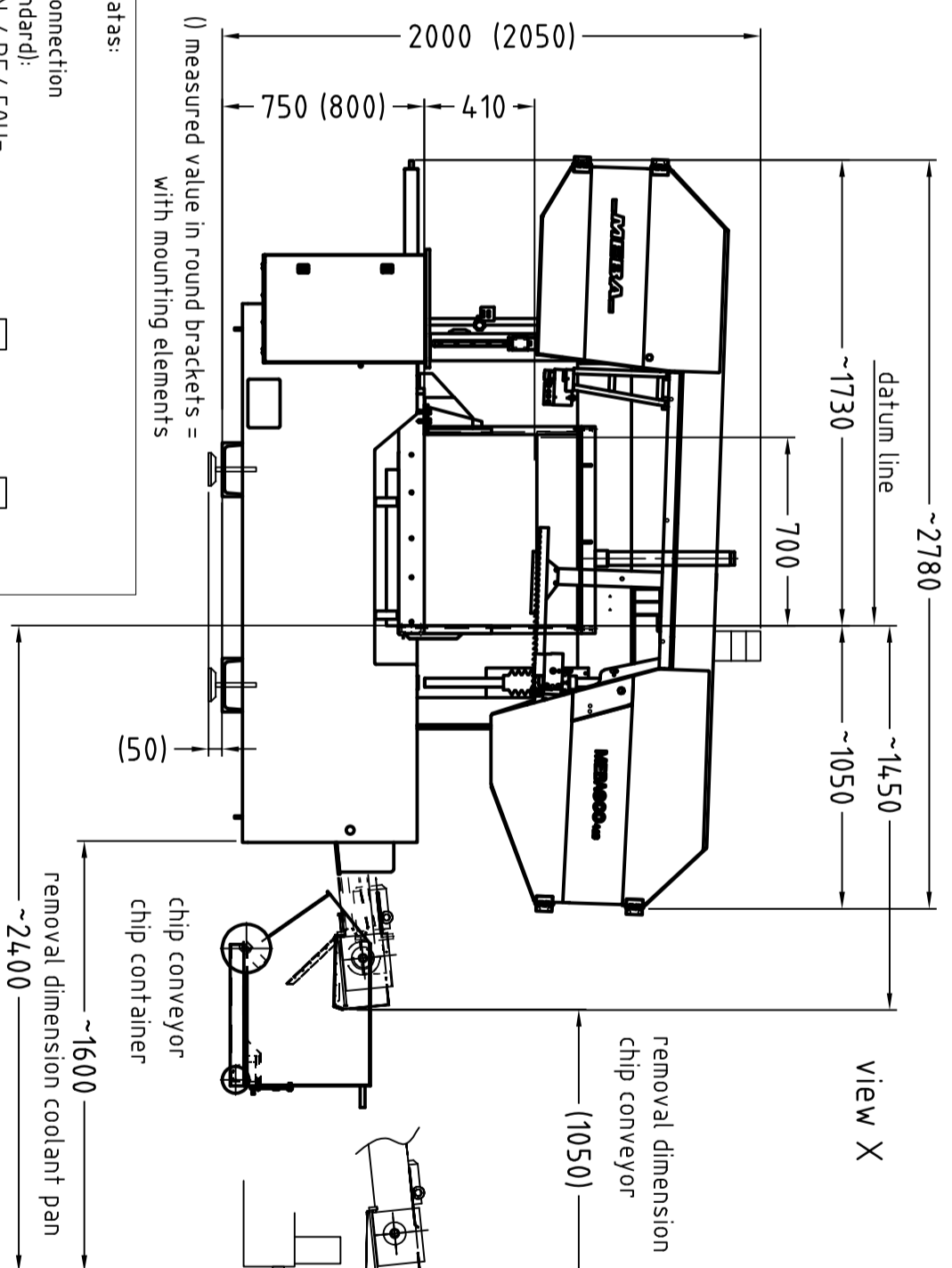
rest piece length without bundle clamping manual: 25mm  
rest piece length with bundle clamping manual: 165mm  
Restrictions of the clamping range 410 with option: Bundle clamping (without cutting control)  
width: 5 - 700mm/ height: 5- 410mm

working height 750mm (without mounting elements!)

optional accessories (just what is shown on drawing)

article	yes	no
control panel -stand alone (mark desired location)		
chip conveyor		
chip container		
support table (with support roller/ manual)		
support table (without support roller)		
micro coolant sprayer		
mounting elements working height = 800mm		

At the installation location there has to be an at-grade base plate with a niveau tolerance of max. ±20mm. The base plate has to have a sufficient sturdiness for mounting dowels M12x120 and has to resist a pressure load of min. 30kg/cm<sup>2</sup>. Because of the manufacturing tolerances, the drilling patterns for the fixing dowels can not be determined in advance, they must be drilled during installation!



customer:  
customer number:

electrical datas:	
electrical connection (MEBA-standard): 3x400V / N / PE / 50Hz	yes <input type="checkbox"/> no <input type="checkbox"/>
different electrical connection: (autotransformer might be required!!!)	

measured value in round brackets = with mounting elements

Zeichnungs-Nr. <b>ASE 41 000 01</b>		Auftragsnummer _____	
Fertigung <b>Sawing plant with MEBAECO 410</b>		Maßstab <b>1:25</b>	
Zeichnungs-Nr. <b>ASE 41 000 01</b>		Blatt _____ von _____	
Hersteller-Nr. <b>72589</b>		Datum <b>02.05.11</b>	
Hersteller-Nr. <b>WESTERHEIM</b>		Index <b>HU</b>	
Hersteller-Nr. <b>WESTERHEIM</b>		Datum <b>02.05.11</b>	
Hersteller-Nr. <b>WESTERHEIM</b>		Datum <b>02.05.11</b>	

1 2 3 4 5 6 7 8 9 10 11 12

H G F E D C B A