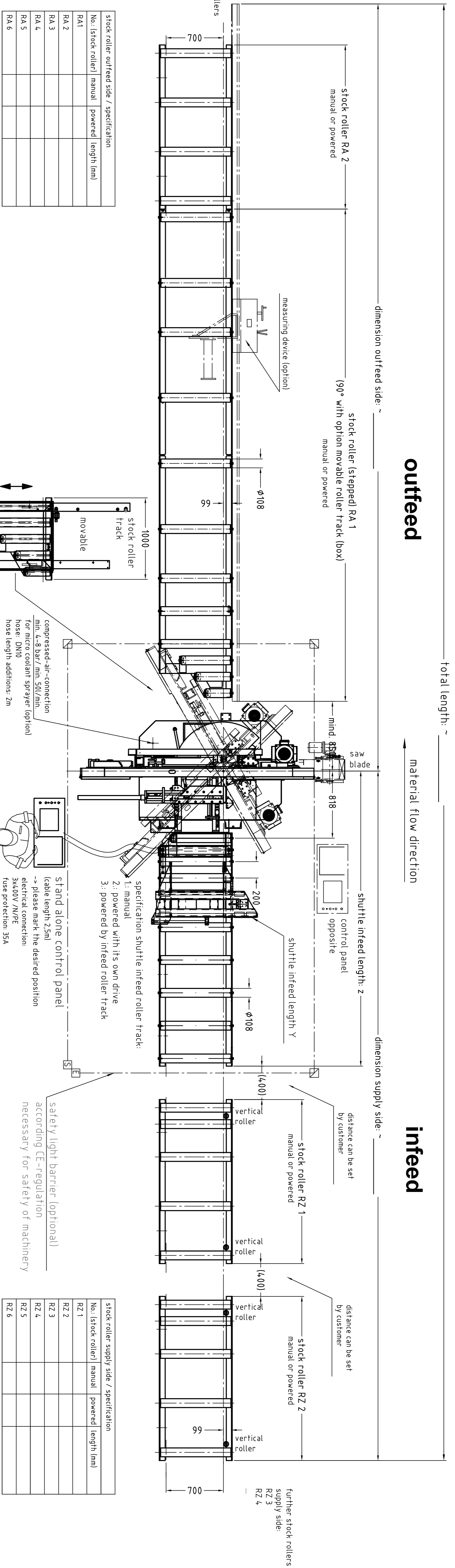


MEBAECO 510 DGA-shuttle infeed

outfeed

infeed



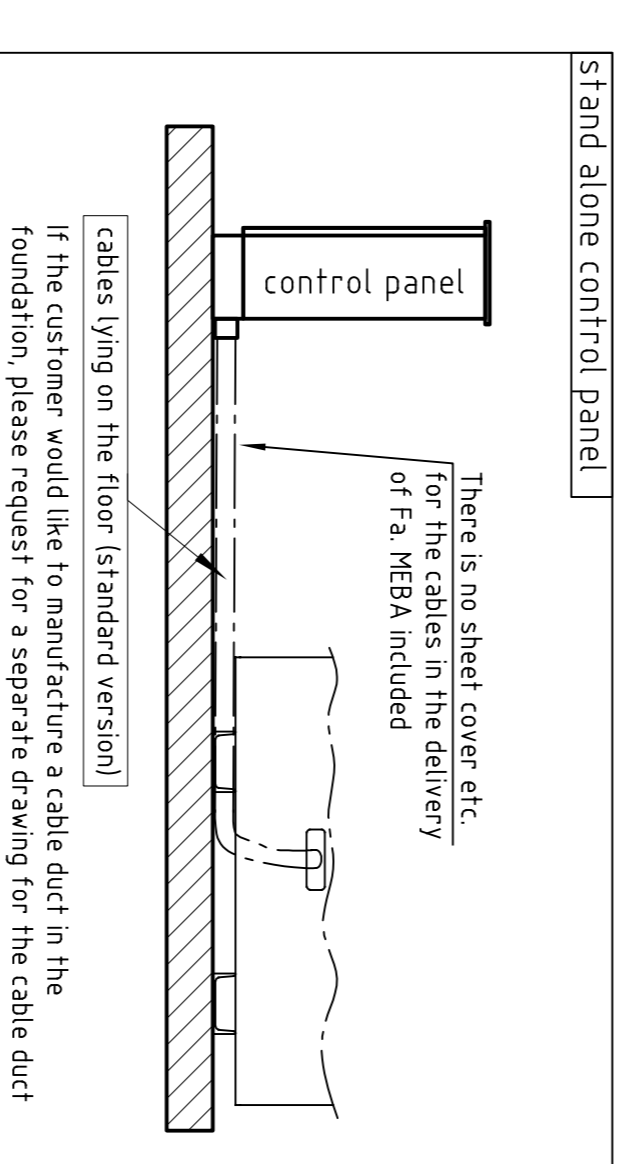
stock roller outfeed side / specification		
No. (stock roller)	manual	powered
RA1		
RA 2		
RA 3		
RA 4		
RA 5		
RA 6		

stock roller supply side / specification		
No. (stock roller)	manual	powered
RZ 1		
RZ 2		
RZ 3		
RZ 4		
RZ 5		
RZ 6		

measuring device / optional			
measuring device	length (mm)	lengthening piece (AV)	metering range (mm) without AV
MID manual			
MIDV manual			
MILA manual			
MILAV automatic			
MS3 automatic			

movable roller track with box / option			
execution	manual	powered	position Box as drawn
with Box 800x500			

shuttle infeed / specification			
shuttle infeed length Y	manual	powered by own drive	shuttle infeed length z
1300mm			2600mm
2300mm			3600mm
3300mm			4600mm
4300mm			5600mm
5300mm			6600mm
6300mm			7600mm



working height 750mm
(without mounting elements)

It is not allowed to start and operate the bandsaw unless the laser light guard or mechanical fences is functioning. It is the responsibility of the operator to ensure the protective measures are functioning correctly.
The distance between the laser light guard or mechanical fence and the moving parts of the bandsaw should be sufficient to prevent accidental contact, this should be a minimum of 16 Mfr.
Before using the bandsaw the operation of the protective measures should be tested by a competent person to ensure the bandsaw will not operate if the protective measures are breached.
This examination and testing should be repeated after every alteration to the protective measures.

At the installation location there has to be an air-grade base plate with a rivet tolerance of max. ±20mm. The base plate has to have a sufficient stiffness for mounting dowels M2x120 and has to resist a pressure load of min. 30kg/cm².
Because of the manufacturing tolerances, the drilling patterns for the fixing dowels can not be determined in advance, they must be drilled during installation!

*Modem for Teleservice:
VPN-connecting in the area of control panel cable extensions 2m (wired ready for plug in)
Further information, see Document: MEBAtelerservice_Checkliste, Beschreibung, AGB

Please confirm electrical datas:
electrical connection (MEBA-standard: 3x400V /N / PE / 50Hz) yes no
different electrical connection (iii)

Restrictions on the clamping range 510 DGA-shuttle infeed					
miter	max. diameter	min. width	max. width	min. height	max. height
135°	ø 395 mm	**	395 mm	**	500 mm
90°	ø 510 mm	**	430 mm	**	500 mm
90°	ø 510 mm	**	430 mm	**	500 mm
30°	ø 510 mm	**	320 mm	**	320 mm
30°	ø 510 mm	**	320 mm	**	320 mm

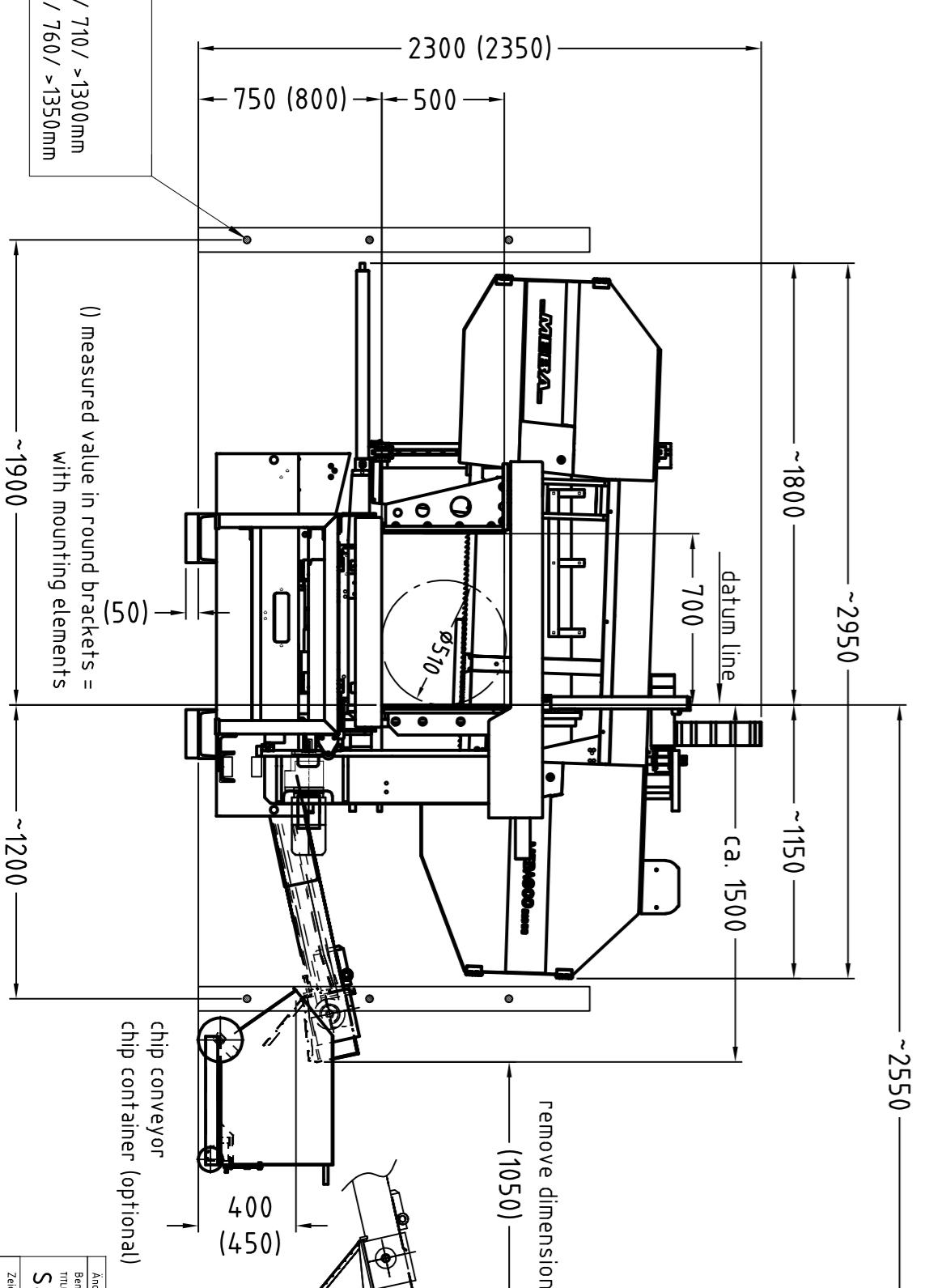
rest piece manual: 280 mm
rest piece automatic: 370 mm

Layer tension: **
rest piece manual: 280 mm
rest piece automatic: 370 mm

Restrictions on the clamping range 510 DGA-shuttle infeed with the option cutting control WITHOUT bundle clamping
miter max. diameter max. width max. height
135° ø 395 mm 395 mm 500 mm
90° ø 510 mm 700 mm 500 mm
90° ø 510 mm 490 mm 390 mm
45° ø 510 mm 320 mm 390 mm

Restrictions of the clamping range 510 DGA-shuttle infeed with bundle clamping **
width max. 430mm/ height max. 500mm
Layer tension: **
round from: ø 30 mm / square from: 25x25 mm
rest piece length manual: 280 mm
rest piece length without bundle clamping manual: 89mm
rest piece length without bundle clamping automatic: 338mm

optional accessories (just what is shown on drawing)	
article	yes
control panel -stand alone (mark desired location)	<input checked="" type="checkbox"/>
chip conveyor	<input type="checkbox"/>
micro coolant sprayer	<input type="checkbox"/>
mounting elements working height = 800mm	<input type="checkbox"/>
safety light barrier special	<input type="checkbox"/>



CUSTOMER:
customer number:

Model	MEBAECO 510 DGA-shuttle infeed
Order No.	125
Year	1
Version	1
Manufacturer	MEBA
Address	72589 METTERN
Phone	07141 250-0
Fax	07141 250-200
E-mail	info@meba.de
Website	www.meba.de