

# MEBASwings 405 DG

material flow direction

total length: ~

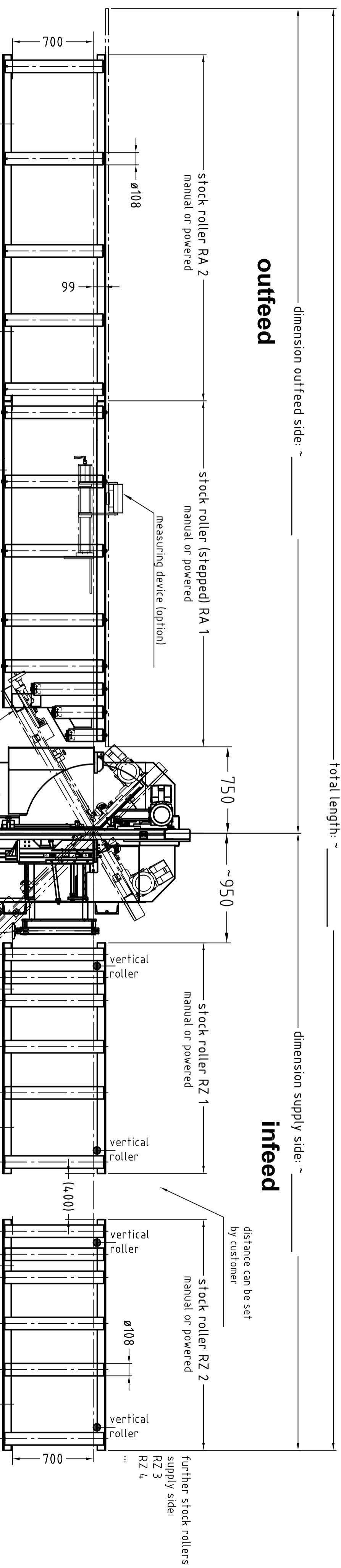
dimension outfeed side: ~

## outfeed

dimension supply side: ~

## infeed

distance can be set by customer



stock roller outfeed side / specification			
No.: (stock roller)	manual	powered	length (mm)
RA1			
RA 2			
RA 3			
RA 4			
RA 5			
RA 6			

compressed-air-connection  
min. 4-8 bar / min. 50l/min.  
for micro coolant sprayer (optional)  
hose: DN10  
hose length additions: 2m

operation mitre  
60°  
45°  
vertical roller  
stock roller RZ 1  
manual or powered  
vertical roller  
stock roller RZ 2  
manual or powered  
vertical roller  
vertical roller  
further stock rollers supply side:  
RZ 3  
RZ 4  
...

stand alone control panel  
(standard) cable length 2,5m

stock roller supply side / specification			
No.: (stock roller)	manual	powered	length (mm)
RZ 1			
RZ 2			
RZ 3			
RZ 4			
RZ 5			
RZ 6			

electrical connection:  
3x400V / N / PE / 50Hz  
fuse protection: 25A

measuring device / optional				
measuring device Typ	length (mm)	lengthening piece (AV)	metering range (mm) without AV	metering range (mm) with AV
ML 0 manual				
MLD manual				
MLDV manual				
MLA automatic				

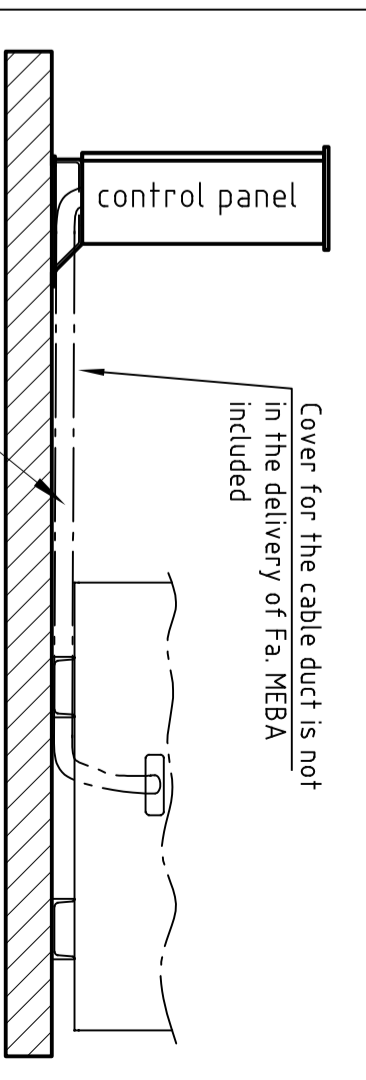
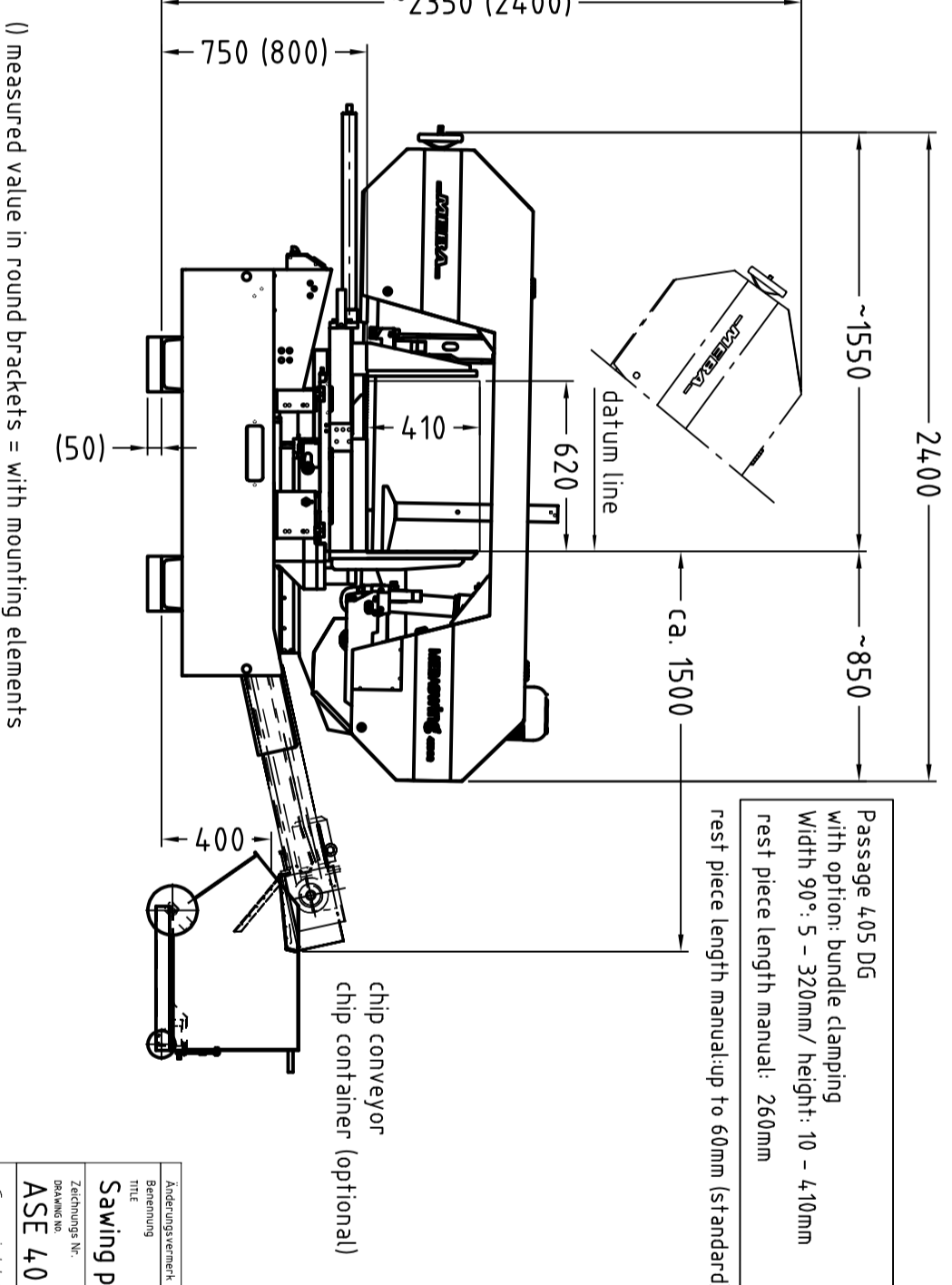
working height 750mm  
(without mounting elements)

Eventually necessary safety equipments like enclosures, barriers, etc., are not included in the offer. These equipments can be plot corresponding to the valid instructions on the part of the builder, or through a separate offer requested at MEBA.

At the installation location there has to be an at-grade base plate with a niveau tolerance of max. ±20mm. The base plate has to have a sufficient sturdiness for mounting dowels M12x120 and has to resist a pressure load of min. 30kg/cm<sup>2</sup>. Because of the manufacturing tolerances, the drilling patterns for the fixing dowels can not be determined in advance, they must be drilled during installation! :

optional accessories  
(just what is shown on drawing)

article	yes	no
control panel -stand alone (mark desired location)	X	
support roller manual		
chip conveyor		
chip container		
micro coolant sprayer		
mounting elements working height = 800mm		



Please confirm electrical data:  
electrical connection (MEBA-standard): 3x400V / N / PE / 50Hz  
different electrical connection: (auto-transformer might be required !!!)

customer:  
customer number:

Sawing plant with MEBASwing 405 DG		Zustimmung / Approval:	
ASE 40 5DG 01		Date / Datum: 25.08.10 HU	
Copyright DIN 314		Index / Index:	
Kontakt / Contact: METAL-BANDSÄGWERK GMBH, 72589 WES-TERHEIM, TECHNISCHE ABTEILUNG / TECHNICAL DEPARTMENT		Blatt / Sheet: 1 von 1	