

MEBapro 260 AP

total length: ~

infeed

stock roller manual RNM Z1

opening machine cover (500)

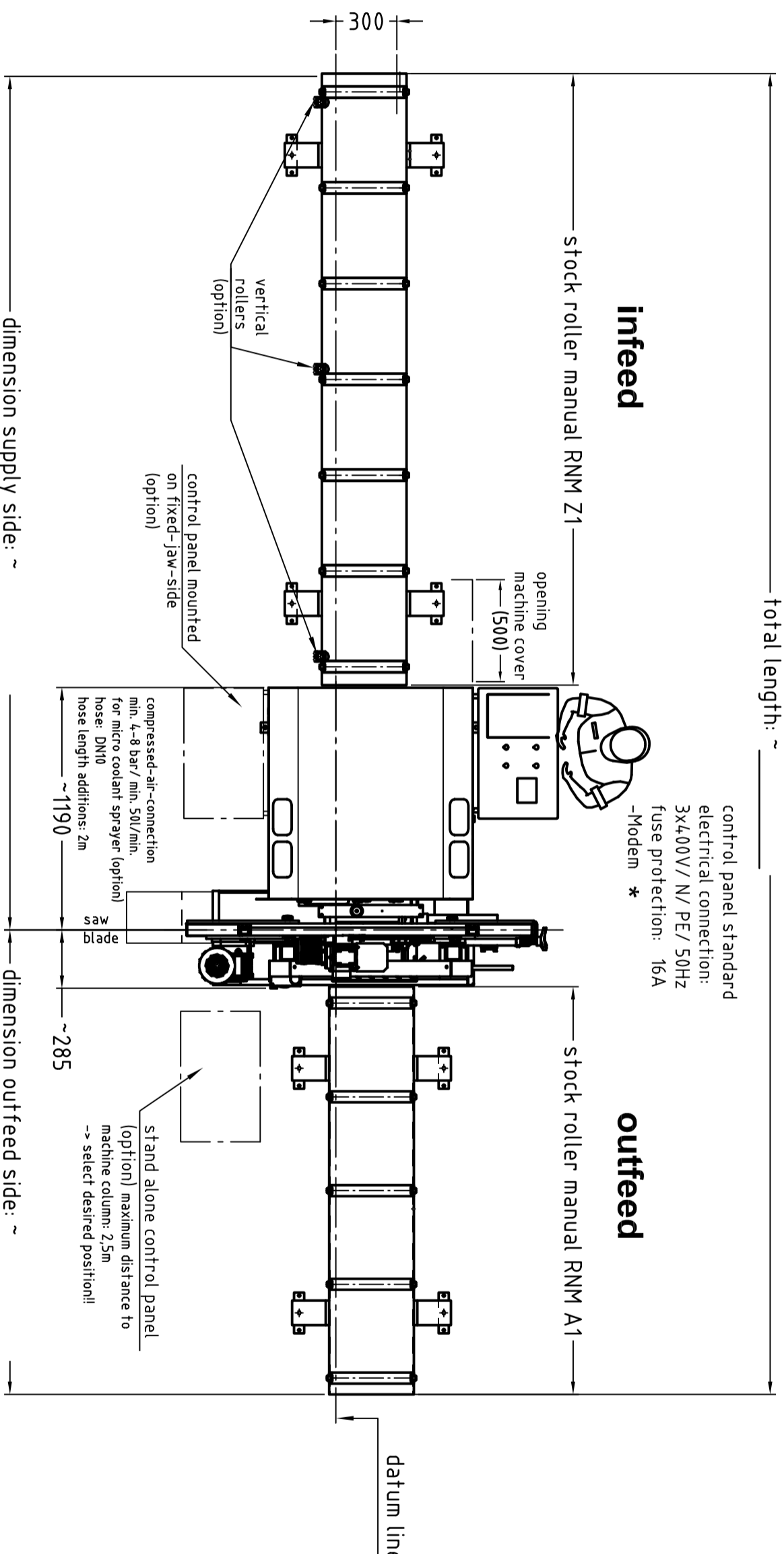
control panel standard
electrical connection:
3x400V / N / PE / 50Hz
fuse protection: 16A
-Modem *

outfeed

stock roller manual RNM A1

further stock rollers
outfeed side:
RNM Z2
RNM Z3...

further stock rollers
outfeed side:
RNM A2
RNM A3...



working height 750mm
(without mounting elements)

At the installation location there has to be an at-grade base plate with a niveau tolerance of max. ±15mm. The base plate has to have a sufficient sturdiness for mounting dowels M12x120 and has to resist a pressure load of min. 30kg/cm².
Because of the manufacturing tolerances, the drilling patterns for the fixing dowels can not be determined in advance, they must be drilled during installation!

Please confirm electrical datas:

electrical connection (MEBA-standard):
3x400V / N / PE / 50Hz yes no
different electrical connection: _____
(autotransformer might be required !!!)

At the installation location there has to be an at-grade base plate with a niveau tolerance of max. ±20mm. The base plate has to have a sufficient sturdiness for mounting dowels and has to resist a pressure load of min. 30kg/cm²

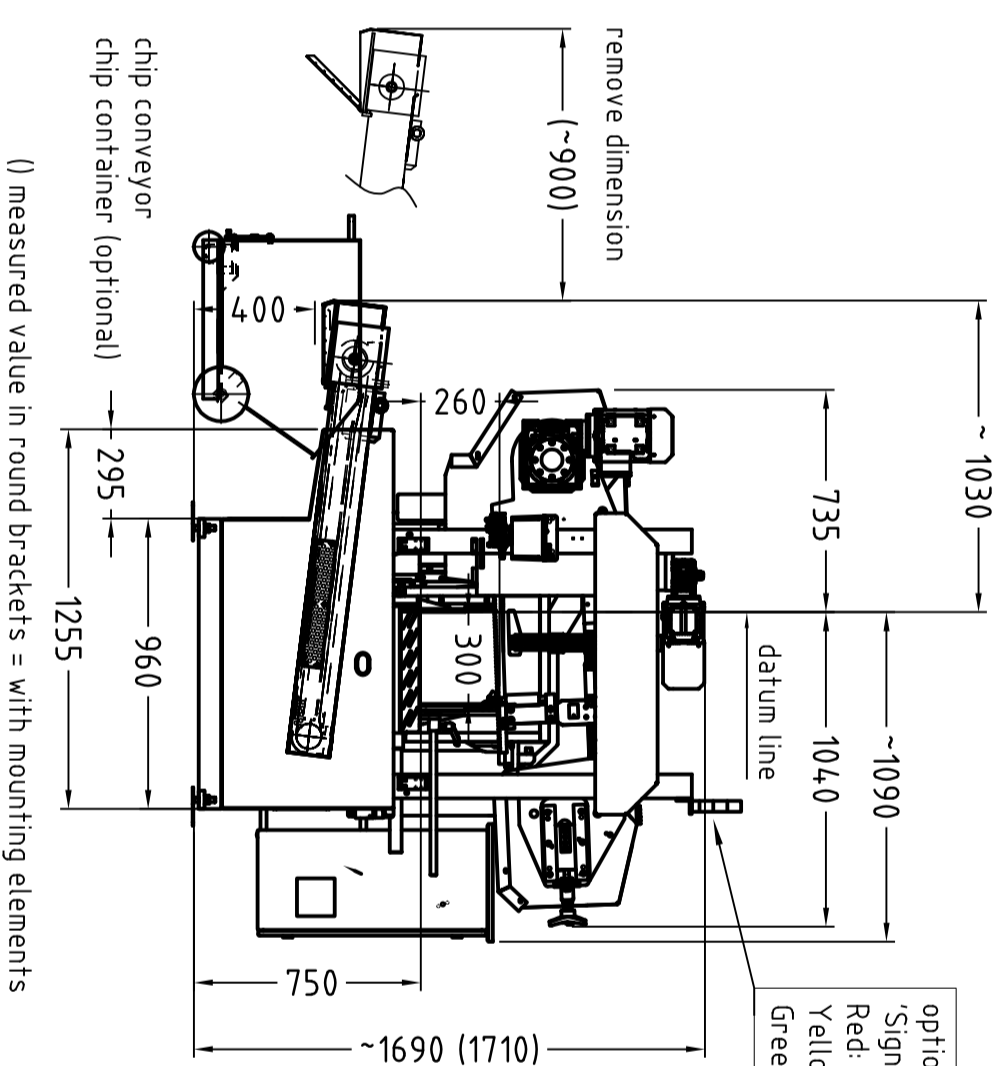
stock rollers supply side / specification			
stock roller- No.	manual	length (mm)	(1000/2000 / 3000/4000mm)
RNM Z1	Yes		
RNM Z2	Yes		
RNM Z3	Yes		
RNM Z4	Yes		

vertical rollers (option)	yes	no	quantity
supply side			

stock rollers outfeed side / specification			
stock roller- No.	manual	length (mm)	(1000/2000 / 3000/4000mm)
RNM A1	Yes		
RNM A2	Yes		
RNM A3	Yes		
RNM A4	Yes		

*Modem for teleservice!
VPN-connecting in the area of control panel
cable extensions 2m (wired ready for plug in)
Further information, see Document:
MEBAteleservice__Checkliste, Beschreibung, AGB

optional accessories (just what is shown on drawing)		
article	yes	no
control panel -stand alone (cable length 2,5m)		
control panel -stand alone (cable length 2,5m) on fixed-jaw-side		(mark desired location)
control panel mounted on fixed-jaw-side		
chip conveyor		
chip container		
signal light		
micro coolant sprayer		
mounting elements working height = 750mm +15mm		



(l) measured value in round brackets = with mounting elements

customer:
customer number:

Fachtitel mit 4,3" Panel

Bestellung: **Sawing plant with MEBapro 260 AP**

Zuschlags Nr.: **ASE 26 0AP 01**

Copyright DIN 314

Index	28.11.2019	HU
Maßstab	1:25	Format DIN A2
Datum	28.11.19	HU

MEBA
KETTAL-BANDSÄGANSCHNITTEN GmbH
72589 WES TERHEIM
Technische Änderungen vorbehalten
TECHNICAL CHANGES LEFT IN RESERVE