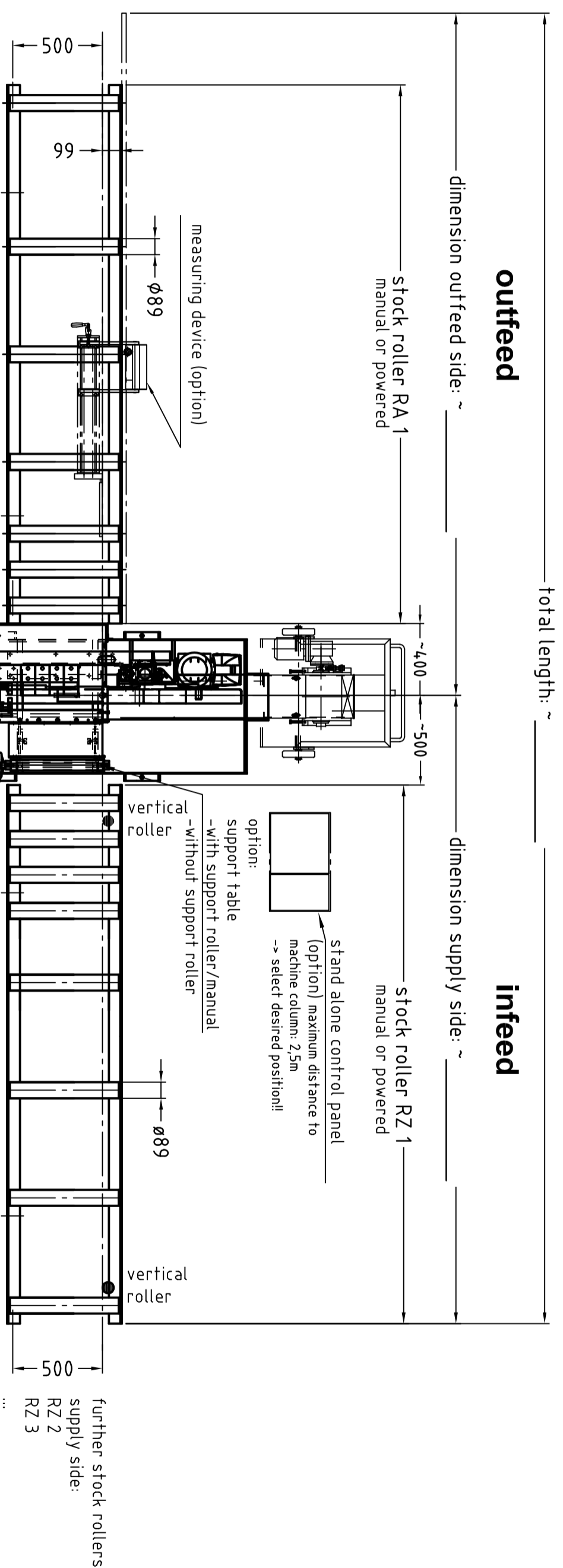
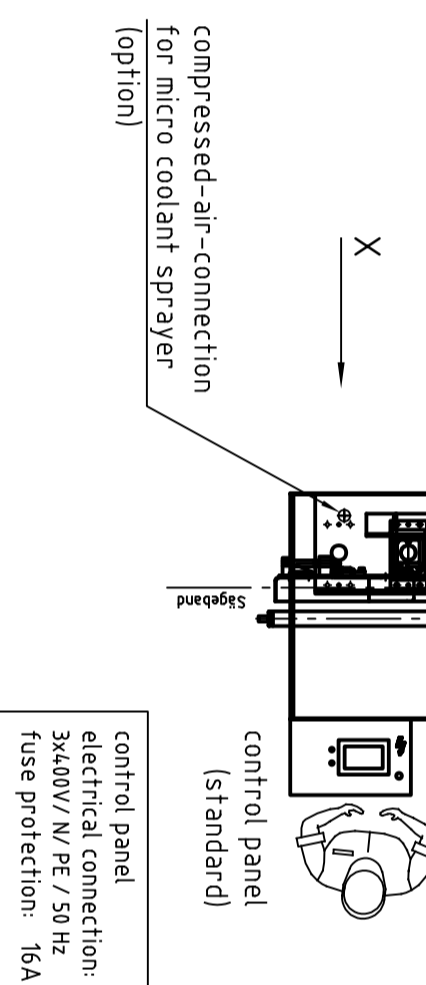


MEBAECO 335

material flow direction



stock roller outfeed side / specification			
No.: (stock roller)	manual	powered	length (mm)
RA1			
RA2			
RA3			
RA4			
RA5			
RA6			



stock roller supply side / specification			
No.: (stock roller)	manual	powered	length (mm)
RZ1			
RZ2			
RZ3			
RZ4			
RZ5			
RZ6			

measuring device / optional				
measuring device Typ	length (mm)	lengthening piece (AV)	metering range (mm) without AV	metering range (mm) with AV
M0 manual				
MLD manual				
MLDV manual				
MLA automatic				
MLAV automatic				

Restrictions on the clamping range 335 with the option removable bundle clamping and cutting control					
miter	max. diameter	min. width	max. width	min. height	max. height
90°	ø 320 mm	5 mm	4,40 mm	5 mm	320 mm

Restrictions on the clamping range 335 with the option cutting control WITTHOUT bundle clamping

miter	max. diameter	max. width	max. height
90°	ø 335 mm	4,40 mm	335 mm

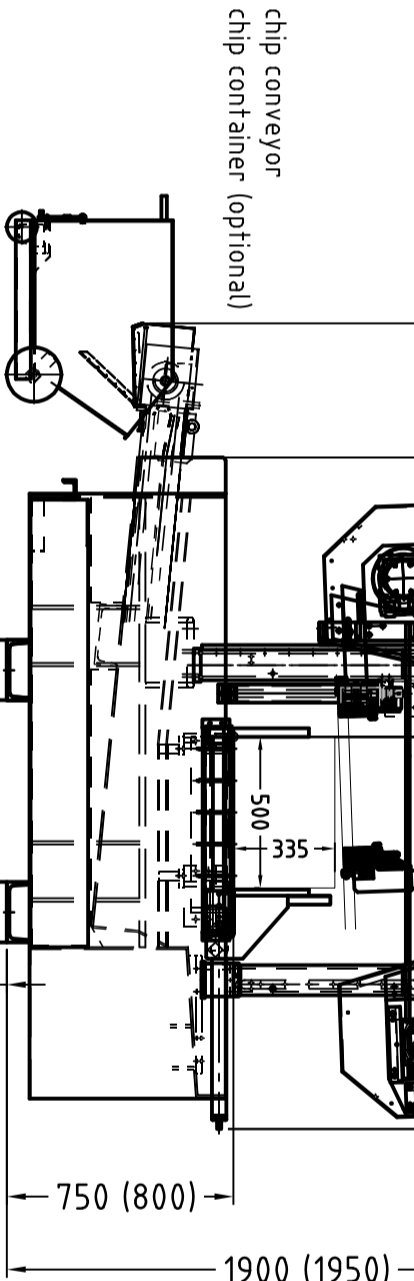
rest piece length without bundle clamping manual: 25mm
 rest piece length with bundle clamping manual: 165mm
 Restrictions of the clamping range 335 with option: Bundle clamping (without cutting control) width: 5 - 500mm/ height: 5 - 320mm

working height 750mm
(without mounting elements)

Eventually necessary safety equipments like enclosures, barriers, etc., are not included in the offer. These equipments can be plot corresponding to the valid instructions on the part of the builder, or through a separate offer requested at MEBA.

At the installation location there has to be an at-grade base plate with a niveau tolerance of max. ±20mm. The base plate has to have a sufficient sturdiness for mounting dowels and has to resist a pressure load of min. 30kg/cm²

optional accessories (just what is shown on drawing)		article	yes	no
control panel -stand alone (mark desired location)				
chip conveyor				
chip container				
support table (with support roller/ manual)				
support table (without support roller)				
micro coolant sprayer				
mounting elements working height = 800mm				



electrical datas:

electrical connection (MEBA-standard): 3x400V / N / PE / 50Hz yes no

different electrical connection: _____ (auto-transformer might be required !!!)

customer:

customer number:

Zeichnungs-Nr. **ASE 33 500 01**
 Auftragsnummer: **000000**
 Maschinen-Nr. **000000**
 Kündel-Ort: **000000**
 Datum: **27.04.11** / 12:25
 Index: **A2**
MEBA
 METALL-BANDSAHNSCHNITTGERÄTE
 72589 WES-TERHEIM
 Technische Änderungen vorbehalten
 ISONUM. CHANGES LEFT IN RESERVE