

# MEBAECO 335 DG

material flow direction

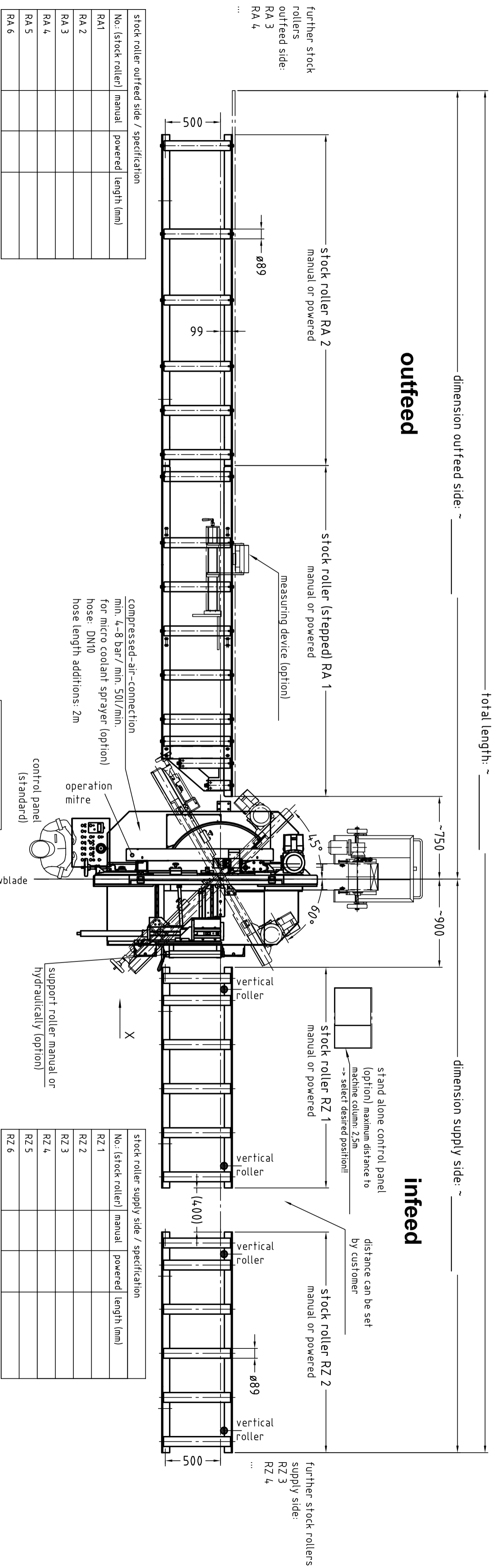
dimension outfeed side: ~

total length: ~

dimension supply side: ~

**outfeed**

**infeed**

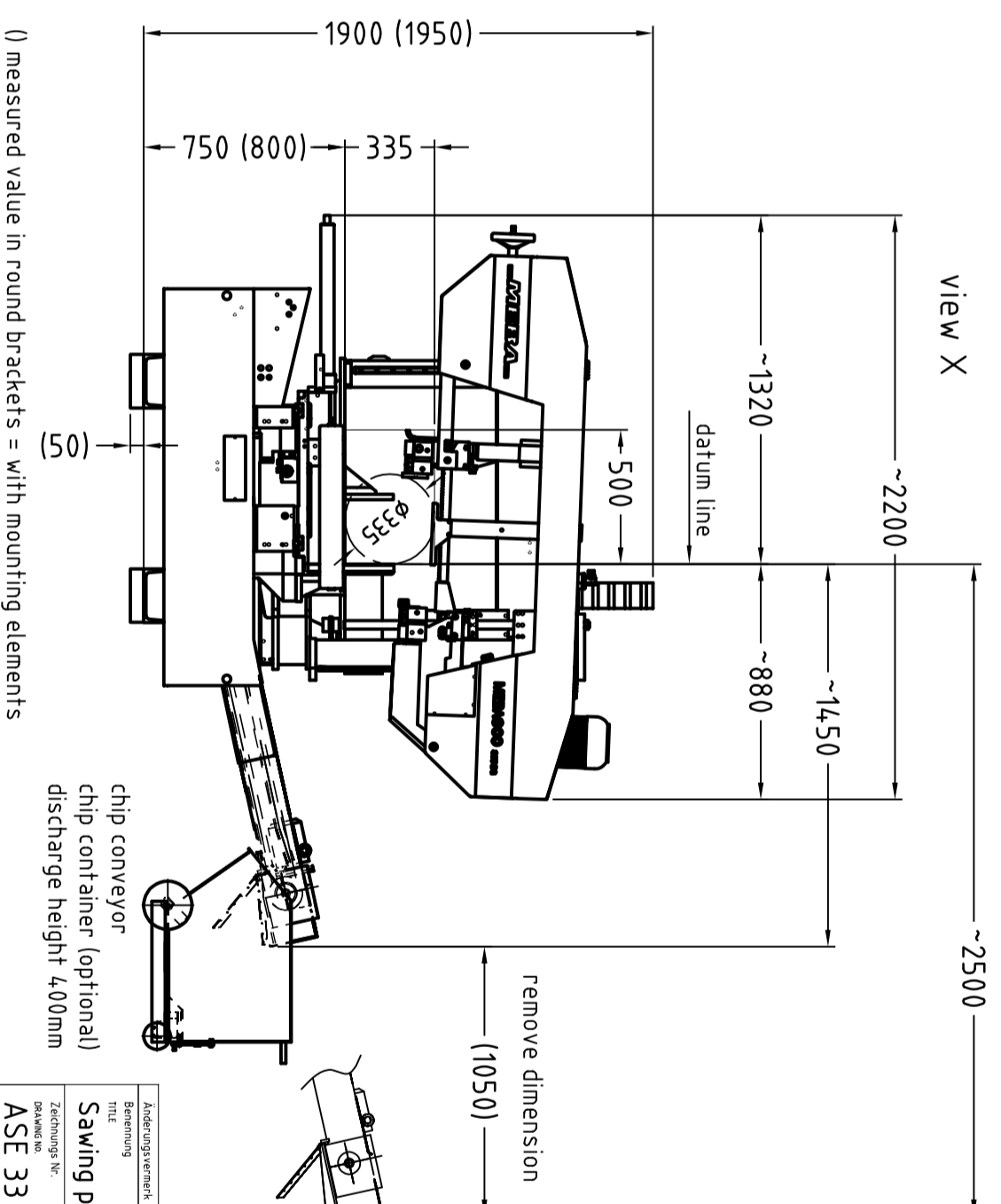


compressed-air-connection  
min. 4-8 bar / min. 50l/min.  
for micro coolant sprayer (option)  
hose: DN10  
hose length additions: 2m

control panel  
electrical connection:  
3x4,00V / N / PE / 50Hz  
fuse protection: 16A

measuring device / optional	length (mm)	lengthening piece (AV)	metering range (mm) without AV	metering range (mm) with AV
M0 manual				
M1D manual				
M1DV manual				
M1A automatic				
M1AV automatic				

view X



Restrictions on the clamping range 335 DG  
with the option removable bundle clamping and cutting control

miter	max. diameter	min. width	max. width	min. height	max. height
135°	ø 280 mm	5 mm	280 mm	5 mm	320 mm
90°	ø 320 mm	5 mm	320 mm	5 mm	320 mm
45°	ø 300 mm	5 mm	300 mm	5 mm	320 mm
30°	ø 170 mm	5 mm	170 mm	5 mm	320 mm

Restrictions on the clamping range 335 DG  
with the option cutting control WITHOUT bundle clamping

miter	max. diameter	max. width	max. height
135°	ø 280 mm	280 mm	335 mm
90°	ø 335 mm	4,40 mm	335 mm
45°	ø 300 mm	300 mm	335 mm
30°	ø 170 mm	170 mm	335 mm

rest piece length without bundle clamping manual: 75mm  
rest piece length with bundle clamping manual: 260mm  
Restrictions of the clamping range 335 DG  
with option: Bundle clamping (without cutting control)  
width: 5 - 320mm / height: 5- 320mm

working height 750mm  
(without mounting elements)

At the installation location there has to be an at-grade base plate with a niveau tolerance of max. ±20mm. The base plate has to have a sufficient sturdiness for mounting dowels M12x120 and has to resist a pressure load of min. 30kg/cm<sup>2</sup>.  
Because of the manufacturing tolerances, the drilling patterns for the fixing dowels can not be determined in advance, they must be drilled during installation! :

Possibly desired safety equipments like enclosures, barriers, etc., are not included in the offer. These equipments can be plot corresponding to the valid instructions on the part of the builder, or through a separate offer requested at MEBA.

Please confirm electrical datas:

electrical connection (MEBA-standard):  
3x4,00V / N / PE / 50Hz      yes       no

different electrical connection:  
(autotransformer might be required !!!)

optional accessories (just what is shown on drawing)	yes	no
article		
control panel -stand alone (mark desired location)		
support roller manual		
support roller hydraulically		
chip conveyor		
chip container		
micro coolant sprayer		
mounting elements working height = 800mm		

customer:

customer number:

Anforderungen		Lieferung		Datei		Index		Datum / Name	
Sawing plant with MEBAeco 335 DG		1:25		A2		05.07.10		HU	
ASE 33 5DG 01									
Copyright DIN 314									