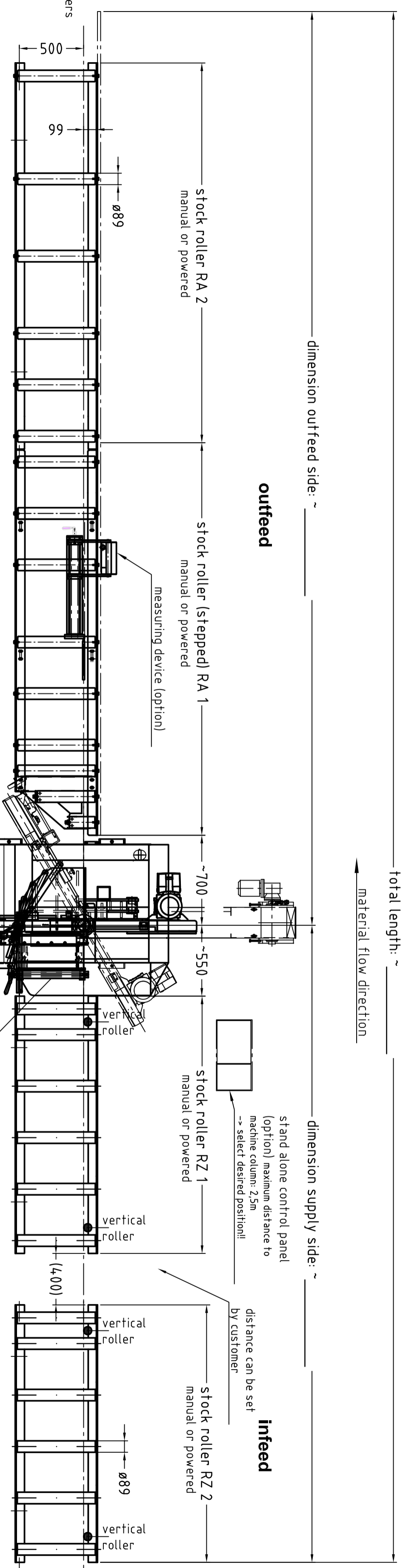


MEBAECO 335 G

total length: ~
material flow direction



stock roller outfeed side / specification			
No.: (stock roller)	manual	powered	length (mm)
RA1			
RA2			
RA3			
RA4			
RA5			
RA6			

stock roller supply side / specification			
No.: (stock roller)	manual	powered	length (mm)
RZ 1			
RZ 2			
RZ 3			
RZ 4			
RZ 5			
RZ 6			

measuring device / optional			
measuring device Typ	length (mm)	lengthening piece (AV)	metering range (mm) without AV
M0 manual			
M1D manual			
M1DV manual			
M1A automatic			

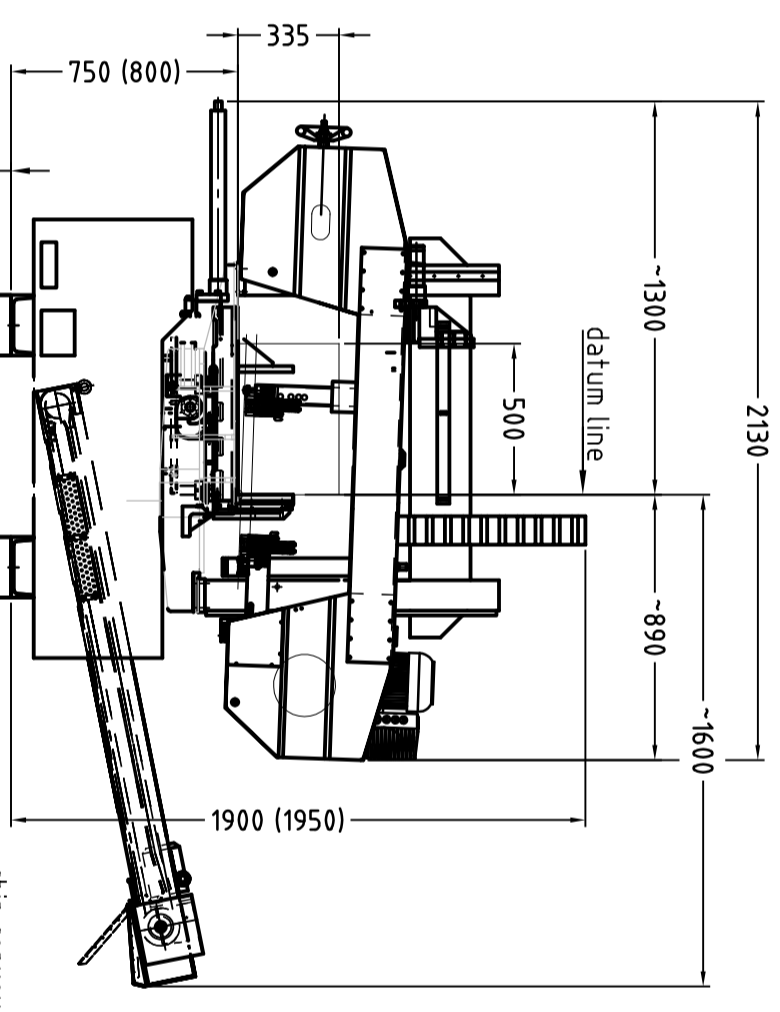
Passage 335 G
with option: bundle clamping
Width 90°: 5 - 500mm/ height: 5 - 320mm
rest piece length manual: 165mm
rest piece length manual: up to 65mm (standard)

working height 750mm
(without mounting elements)

Eventually necessary safety equipments like enclosures, barriers, etc., are not included in the offer. These equipments can be plot corresponding to the valid instructions on the part of the builder, or through a separate offer requested at MEBA.

At the installation location there has to be an at-grade base plate with a niveau tolerance of max. ±20mm. The base plate has to have a sufficient sturdiness for mounting dowels and has to resist a pressure load of min. 30kg/cm²

optional accessories (just what is shown on drawing)		
article	yes	no
control panel -stand alone (mark desired location)		
chip conveyor		
chip container		
support table (with support roller/ manual		
support table (without support roller)		
micro coolant sprayer		
mounting elements working height = 800mm		



(!) measured value in round brackets = with mounting elements

Please confirm electrical datas:
electrical connection (MEBA-standard): 3x400V /N / PE/ 50Hz
different electrical connection: _____
(ad of transformer might be required !!!)

customer:
customer number:

Zeichnungs-Nr. ASE 33 5G0 01
 Auftragsnummer: _____
 Maschinen-Nr.: _____
 Datum: 1:25
 Zeichnung: A2
 Index / Name: 09.03.11 HU
 KETAL-BANDSÄGWERKEN GmbH
 72589 WES TERHEIM
 TECHNISCHE ANLEITUNG VORBEREITEN
 TECHNISCHE ANLEITUNG MIT BEHALTEN